

WATERBARRIER® TECHNOLOGY

WaterBarrier® combines a medium density overlay (MDO) over the exterior surface of the door with water-resistant glazing beads and bars for an exterior that's not only resistant to moisture, but provides a beautiful surface for paint. And when combined with any wood species on the inside, you can match your interior woodwork and keep the warmth and natural beauty that wood provides.

PROVEN TRACK RECORD OF PERFORMANCE

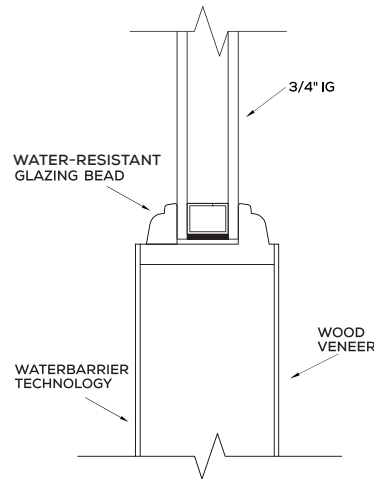
- The overlay in WaterBarrier technology is commonly used for street signs and concrete forms
- Minimizes the possibility of stile-and-rail separation
- Excellent durability and resists moisture absorption
- 5-year warranty, no overhang required

FLEXIBLE DESIGN OPTIONS

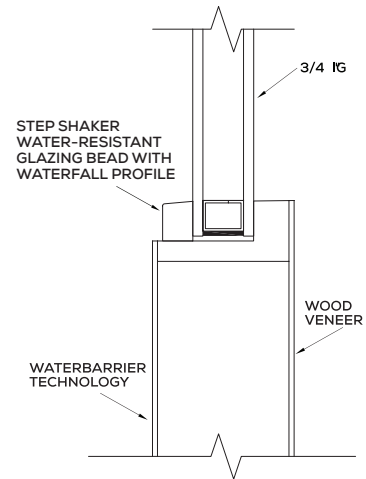
- Can be ordered in virtually any door design for a variety of exterior applications, including entry, side and patio doors
- Available for use with any wood species
- Overlay has thermoset acrylic latex primer topcoat, resulting in superior paint application

All doors with WaterBarrier come standard with UltraBlock® technology and our Weather Seal™ process at stile and rail joints.

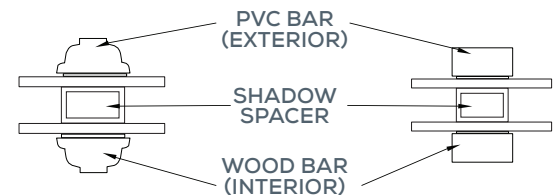
STANDARD OVOLO PROFILE WITH WATERBARRIER® TECHNOLOGY



OPTIONAL SHAKER PROFILE WITH WATERBARRIER® TECHNOLOGY



STANDARD OVOLO BAR PROFILE



OPTIONAL SHAKER BAR PROFILE

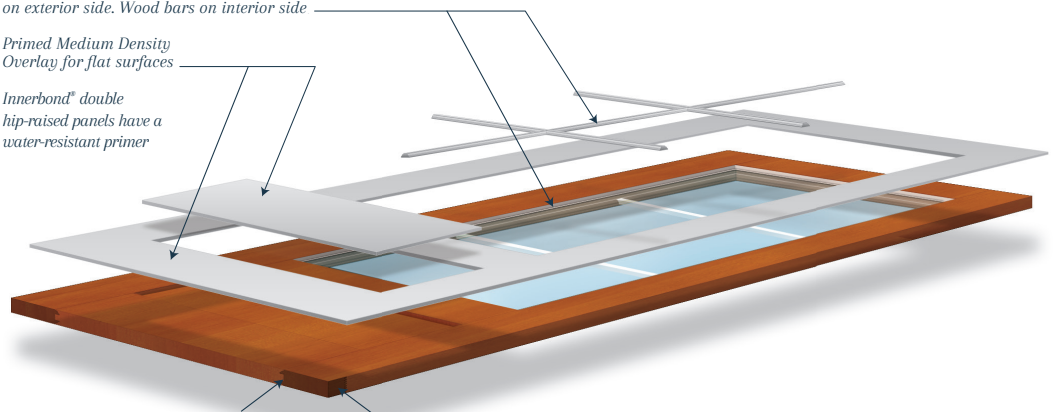


WATERBARRIER® TECHNOLOGY

Water-resistant glazing bead and SDL bars on exterior side. Wood bars on interior side

Primed Medium Density Overlay for flat surfaces

Innerbond® double hip-raised panels have a water-resistant primer



WEATHER SEAL™ PROCESS

Entire stile-and-rail joints coated and bonded to decrease the possibility of water infiltration

ULTRABLOCK® TECHNOLOGY

Composite block material finger-jointed into the bottom of the stiles